



Ctek Cellular Irrigation Controller Data Sheet

Ctek's cellular irrigation controller is all about green results. The green results of conserving precious water, the green results of properly watered turf, and the resulting green from reduced water bills. In short, a green hat-trick.

Conventional irrigation systems apply water based on time, a timed duration for each sprinkler zone under management. Ctek's irrigation controller is different, it applies the amount of water you prescribe on the days you define. And, because you have cellular data access to the controller you can change the application rate or the schedule from your desk with a standard web browser. This allows you to be responsive to changes in regulations or changes in weather without a truck roll. The controller stores nine separate irrigation schedules. Select one for summer and one for winter or enable a more restrictive schedule when water conservation measures are in effect. And, since the scheduling logic resides on the controller at the irrigation site cellular data usage is minimized. This means you can run each end point on a low cost cellular telemetry plan, resulting in a significant operating expense saving.

Irrigation technicians can connect to the controller using a standard web browser to monitor operation or change settings. The irrigation controller sends daily usage reports to your email addresses and issues alerts and alarms by both text messaging and email. Over and under usage is monitored and alarmed, giving you the earliest visibility of a leak or equipment failure. Once a usage pattern is established it is even possible to detect missing sprinkler heads that have been dislodged by lawn mowing equipment.

Ctek's irrigation controller can be installed alongside any commercial irrigation clock by a qualified irrigation technician or electrician.

Under normal operation the irrigation controller bypasses the clock and applies water based on its settings. In the event of a controller failure Ctek's fail-safe design transfers control back to the electro-mechanical clock.



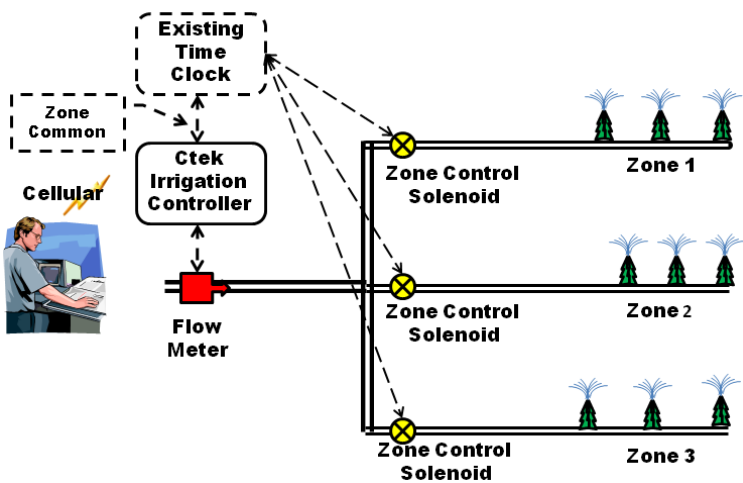
Key Features

- Irrigation based on gallons, not minutes
- Web browser interface
- Two independent daily schedules
- Detects over and under usage on each zone
- Detects unscheduled water usage
- Spreadsheet format daily reports
- Alerts and alarms - text message or email
- NEMA-4X/IP66 enclosure
- 24VAC power
- Available for all cellular networks

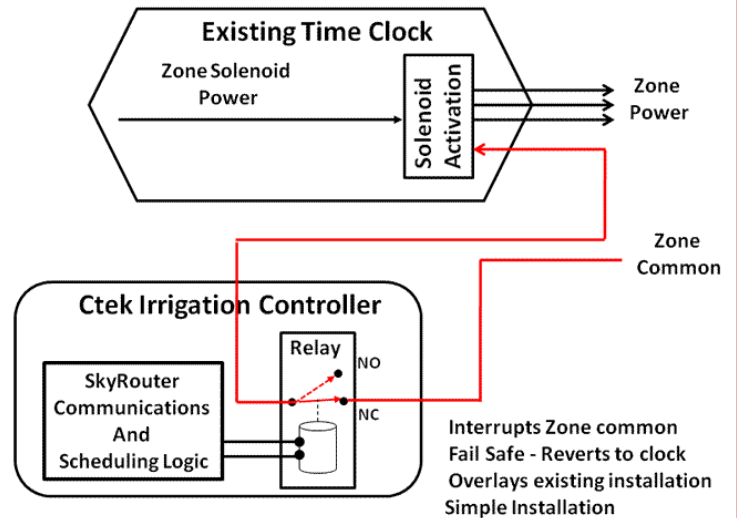


Ctek Cellular Irrigation Controller Data Sheet

System Diagram



Installation Diagram



Specifications

Electrical:

- Voltage 24VAC
- Power - 400mw peak
- Solar Power Saver option available

Environmental

- Temperature - minus 30 to plus 70 C
- Humidity - 90% non-condensing
- Packaging - Poly-carbonate IP66 enclosure

Networks:

- CDMA (EVDO and 1xRTT)
- GSM (GPRS/EDGE)
- HSPA/UMTS

Flow Meter Integration (See Note)

- Badger 228PV with 350R wireless receiver

Note - Customer supplies the actual flow meter . Ctek provides mounting and firm-ware integration.

Application

- Maximum zones - 45
- Maximum schedules - 9
- Email Interface - POP 3
- Alarms - Email, SMS, or both
- Report Delivery - Email
- Report Format - Spreadsheet (CSV)
- Report Frequency - Daily for defined days
- Irrigation Clock Override - Yes
- SMS Addresses - 5
- Email Addresses - 5